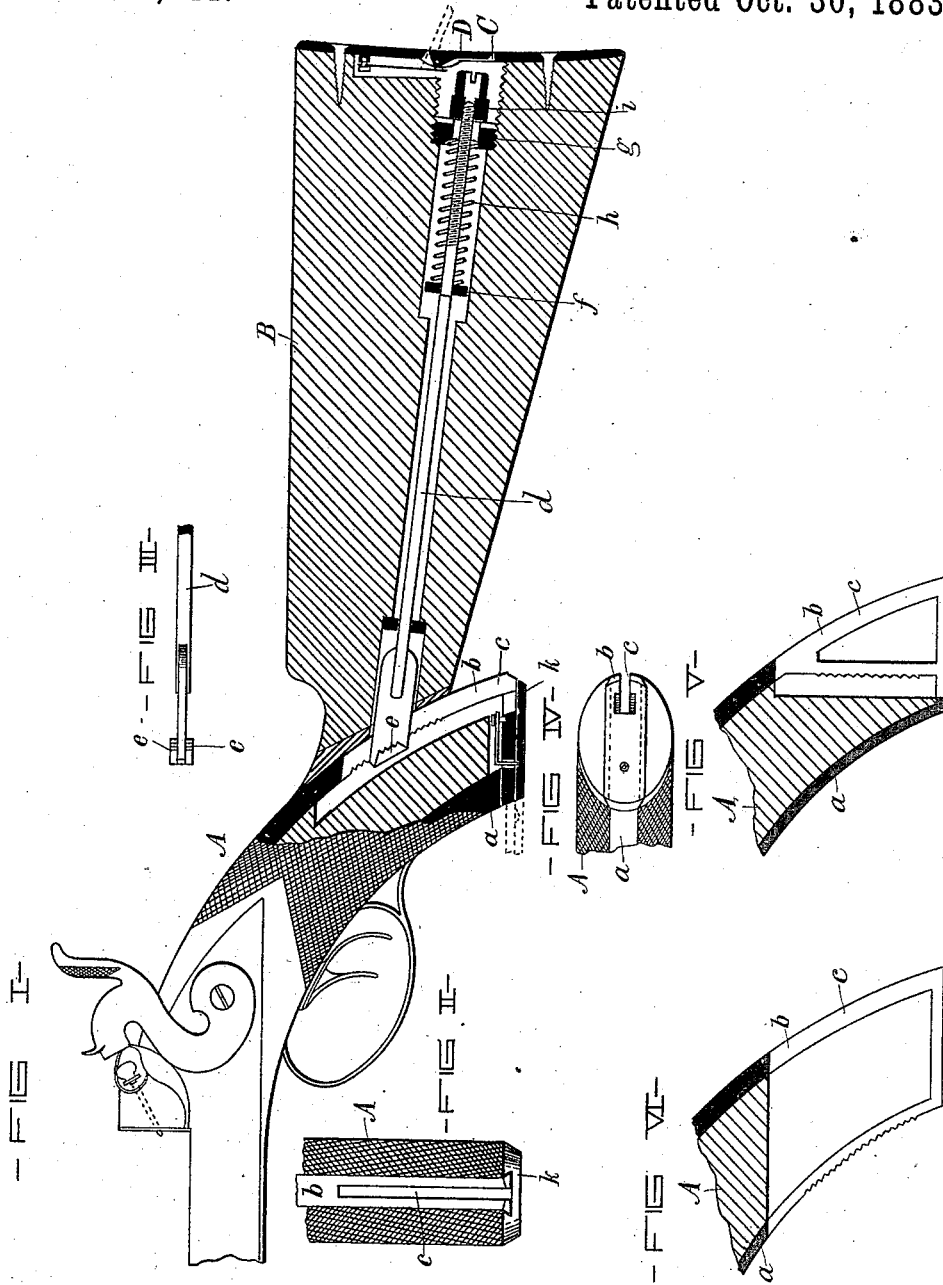


(No Model.)

G. R. VICKERS, Jr.  
STOCK FOR FIRE ARMS.

No. 287,741.

Patented Oct. 30, 1883.



- WITNESSES -

*Paul Fisher*  
*Renoux Reese*

- INVENTOR -

*George R. Vickers, Jr.*  
*by G. H. Howard*  
*Atty.*

# UNITED STATES PATENT OFFICE.

GEORGE R. VICKERS, JR., OF BALTIMORE, MARYLAND.

## STOCK FOR FIRE-ARMS.

SPECIFICATION forming part of Letters Patent No. 287,741, dated October 30, 1882.

Application filed August 23, 1883. (No model.)

*To all whom it may concern:*

Be it known that I, GEORGE R. VICKERS, Jr., of the city of Baltimore and State of Maryland, have invented certain Improvements in Fire-Arms, of which the following is a specification.

This invention relates to certain improvements in that class of guns in which the pistol grip-stock is used; and it consists in means whereby the shoulder-piece may be adjusted with reference to the grip, as will hereinafter fully appear.

In the accompanying drawings, forming a part hereof, Figure I is a partly sectional view of a portion of a breech-loading gun provided with my improvements. Figs. II, III, and IV are details of the invention; and Figs. V and VI illustrate a modified construction of a portion of the invention.

Similar letters of reference indicate similar parts in all the views.

A and B are respectively the grip and the shoulder-piece of the stock. The front and rear ribs of the grip-stock A are indicated by *a* and *b*, respectively, and it will be seen that the rib *b* is slotted, the said slot being denoted by *c*. The shoulder-piece B has a rod, *d*, the outer end of which is accessible from the end of the shoulder-piece, and its inner end is provided with toothed projections *e*, which engage with the similarly toothed inner surface of the rib *b*.

The rod *d* has a collar, *f*, and between the said collar and the stock *g* is confined a spiral spring, *h*. The toothed projections *e* of the rod *d*, when drawn in contact with the toothed surface of the rib *b* by means of a nut, *i*, serve to hold the shoulder-piece firmly in contact

with the grip; and the length of the toothed surface of the rib *b* is such that considerable adjustment in the offset of the shoulder-piece may be obtained.

The lower end of the slot *c* is covered by a sliding plate, *k*, which is thrown back, as shown in dotted lines, when the bar *d* is to be entirely removed from the grip.

The object of the spring *h* is to force the toothed projections *e* from the toothed surface of the rib *b* as the nut *i* is unscrewed, to admit of the adjustment of the shoulder-piece.

A screw-driver for turning the nut *i* is inserted through an opening, C, in the plate of the shoulder-piece, which is provided with a spring-door, D. In Fig. V the teeth of the rod *d* engage with a bar which is independent of the rib *b*; and in Fig. VI the said rod extends entirely through the grip, and the outer surface of the rib *a* is toothed.

I claim as my invention—

1. The shoulder-piece of the gun-stock, having extending through it a rod with a toothed surface, adapted to be brought and held in contact with a toothed surface in the grip-stock, substantially as and for the purpose specified.

2. In combination with the grip A, having a toothed inner surface, the shoulder B, the rod *d*, with the toothed projections *e*, and means for drawing and holding in contact the two toothed surfaces, and thereby firmly hold the two sections of the gun-stock together, substantially as specified.

GEORGE R. VICKERS, JR.

Witnesses:

WM. T. HOWARD,  
EDWARD J. DIGGS.